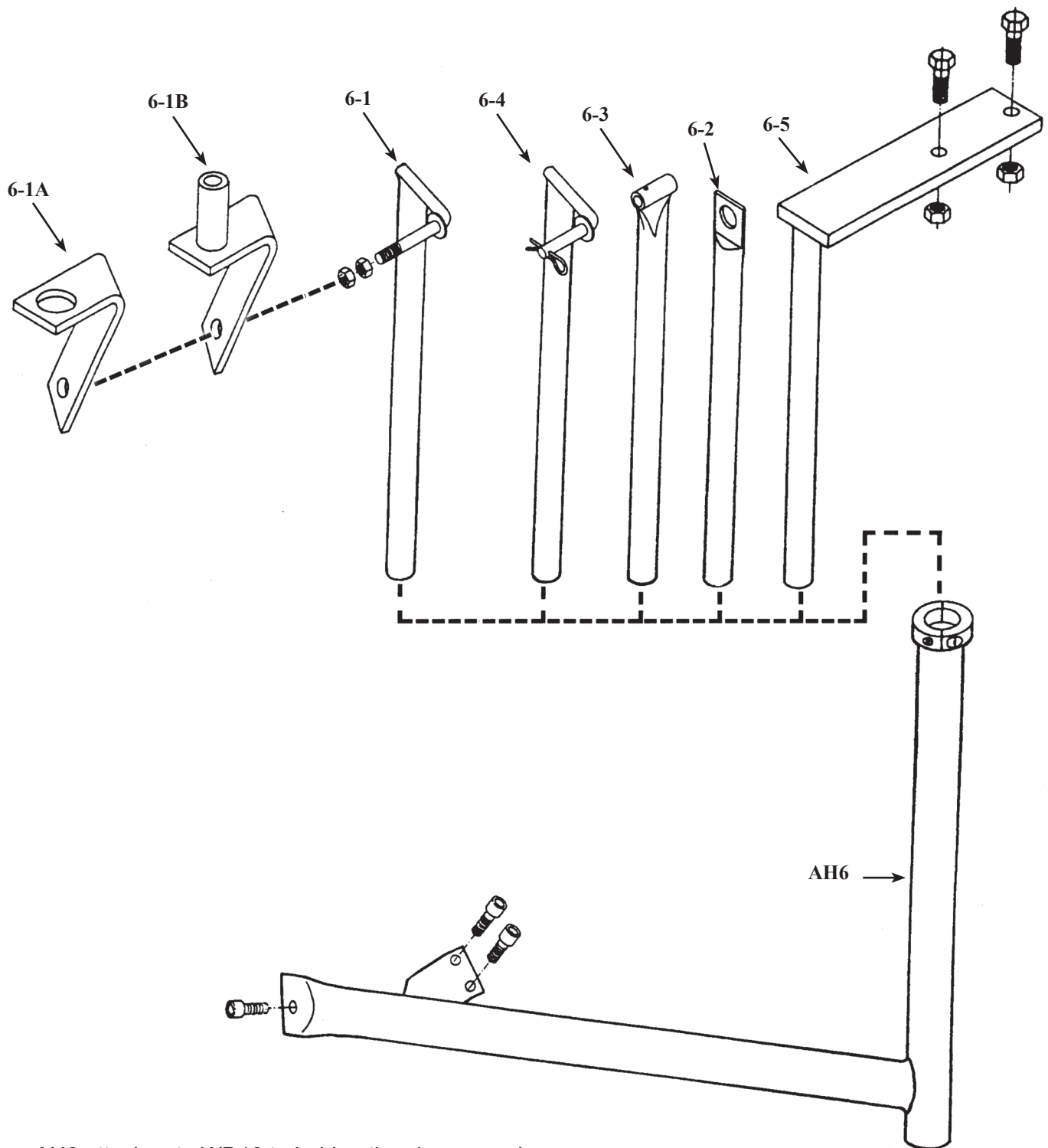


# AH6 ACCESSORY HOLDER & OPTIONAL ACCESSORIES



AH6 attaches to WD10 to hold optional accessories.

Part#	Description
6-1	Pulley Conduit Adapter - used to hold a PP9 Plastic Pulley and a 6-1A or 6-1B
6-1A	Conduit Connector Adapter – used to provide a 13/16" ID mounting hole
6-1B	Conduit Adapter – used to provide a 3/8" ID mounting hole
6-2	Conduit Adapter – used to provide a 13/16" ID mounting hole
6-3	Conduit Mounting – used to provide 3/8" ID mounting hole
6-4	Pulley Adapter - used to hold a PP9 Plastic Pulley
6-5	Assist Feed Motor Adapter - used to hold the 4AFM Assist Feed Motor