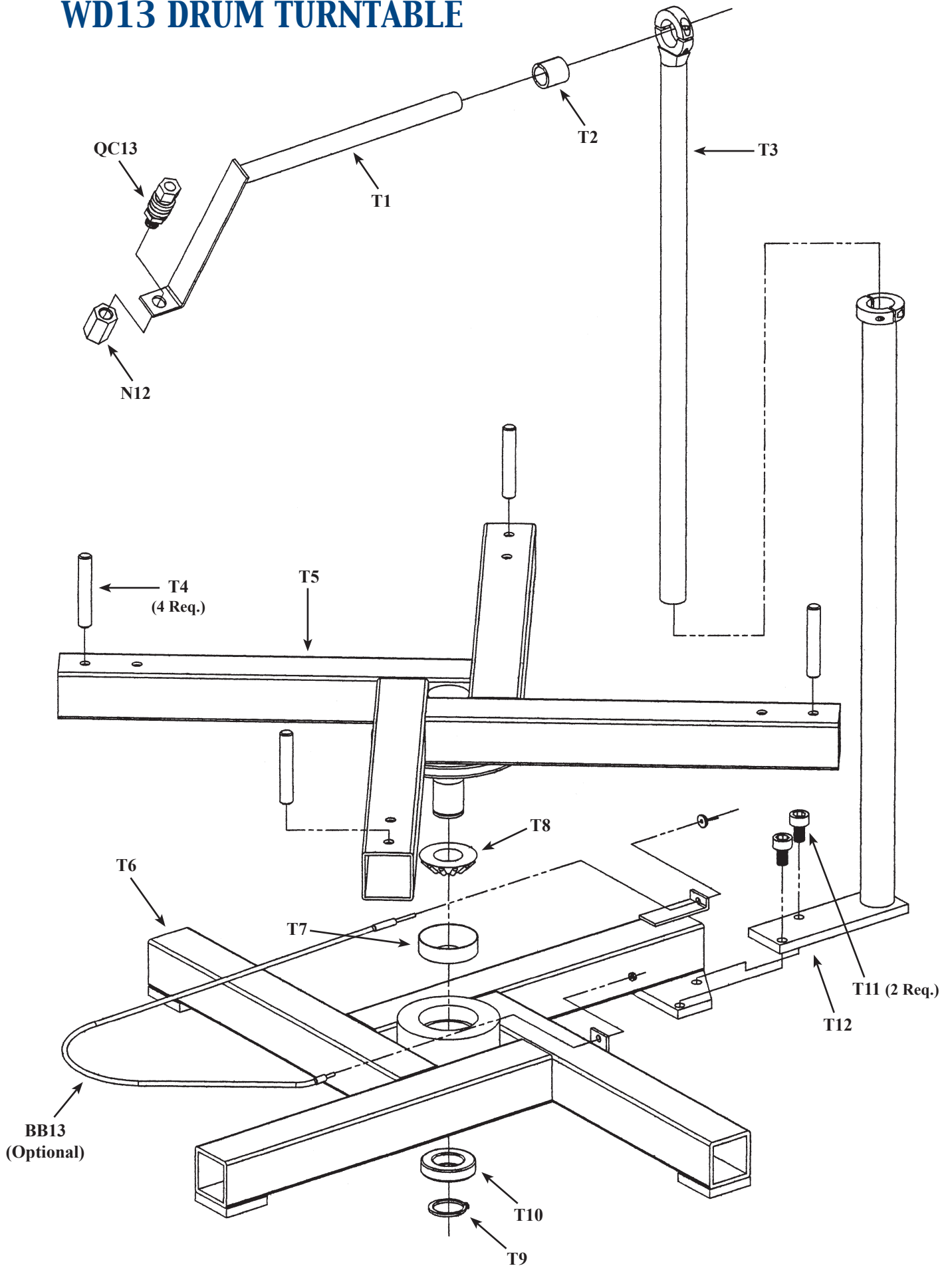


WD13 DRUM TURNTABLE



PARTS FOR WD13 DRUM TURNTABLE

Part#	Description
BB13	Brake Band (Optional)
WD13	Drum Turntable (Complete assembly of parts below)
N12	Wire Guide Nut (Case Hardened)
QC13	Quick Coupler-PC6 1/4" Male NPT
T1	Adjustable Guide Arm
T2	Insulating Bushing
T3	Adjustable Vertical Arm
T4	Retaining Pin (4 Req.)
T5	Rotating Table
T6	Table Support Base
T7	Bearing Cup LM67010-XL
T8	Bearing Cone LM67048-XL
T9	Snap Ring SH-118STPA
T10	Ball Bearing 6006-2RS
T11	Bolts 3/8" - 16 x 3/4" SHCS (2 Req.)
T12	Vertical Base Arm